

Over-Center Door Operator

The Over-Center Door Operator is often used on fire doors.

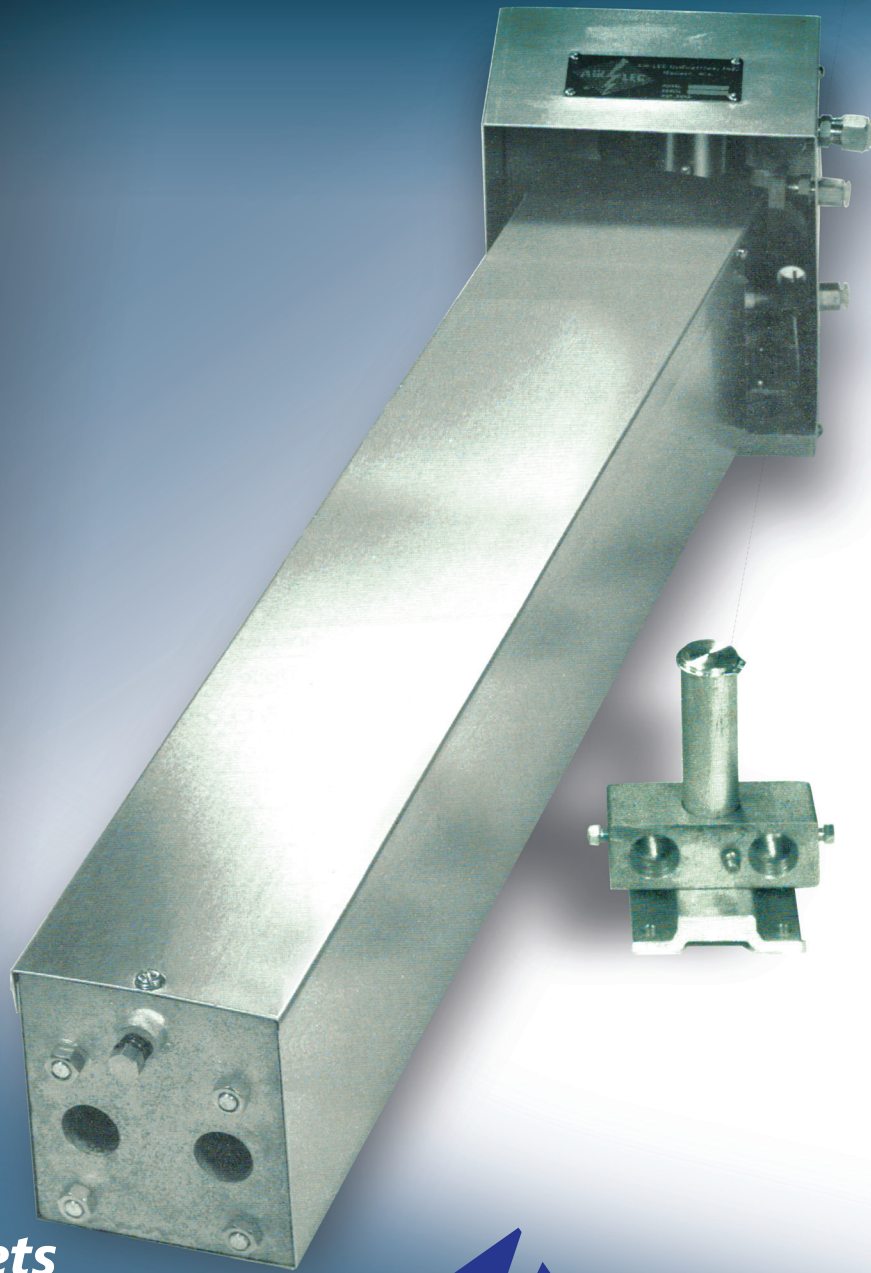
Engineered for single panel sliding doors up to six feet wide up and weighing up to 1200 pounds, and bi-parting doors for openings up to 12 feet wide. Features include adjustable operating speed.

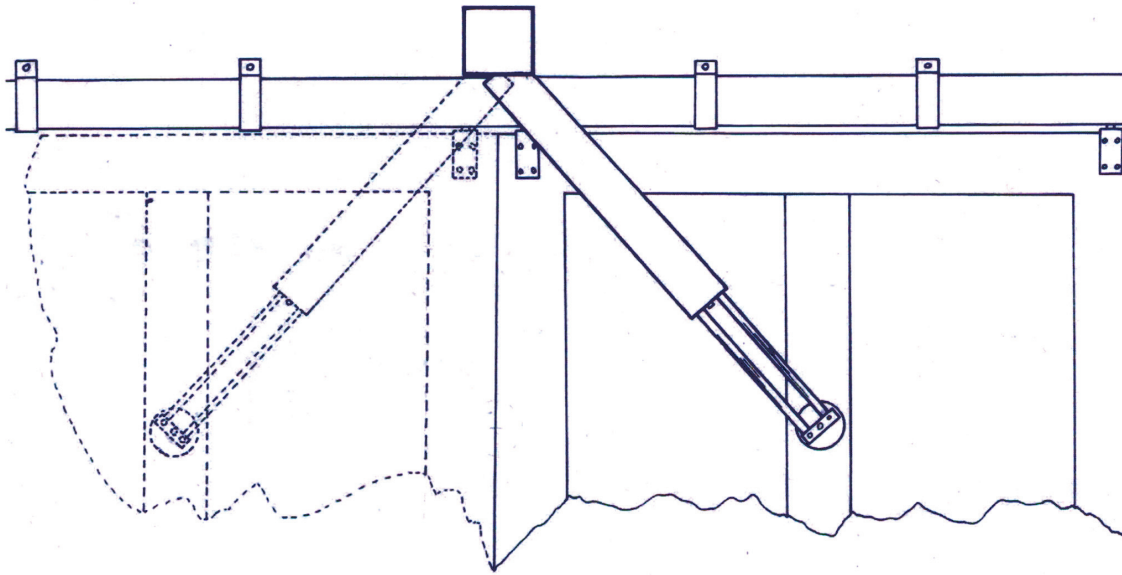


Producing professional grade door operators for nearly a century.

**Old world wisdom meets
modern technology.
Safe. Fast. Dependable.**

Made in America.





OVER-CENTER DOOR OPERATOR

MODEL	DOOR SIZE RANGE	DOOR WEIGHT RANGE
0-260	2 1/2' To 6' Travel	Up To 1200 lbs.

AIR REQUIREMENTS FOR COMPLETE CYCLE - OPEN & CLOSE

80PSI	100PSI	120 PSI
.31 cu. ft. free air	.38 cu. ft. free air	.44 cu. ft. free air

TYPICAL OPERATOR REQUIREMENTS

Every door requires one door operator per door panel. Every opening requires one control kit and one filter-regulator. Extra control stations are available if desired.

SINGLE DOOR:

- (1) 0-260 Over-Center Operator
- (1) E-300 or A-30 Pull-Cord Control Kit
- (1) 6148 Filter-Regulator
- (1) 6151/6528 Dehydrator (for moist air)

BI-PARTING DOORS:

- (2) 0-260 Over-Center Operators
- (1) E-400 or A-40 Pull -Cord Control Kit
- (1) 6148 Filter-Regulator
- (1) 6151/6528 Dehydrator (for moist air)

	AIR-LEC INDUSTRIES, Inc. MADISON, WI (608) 244-4754 air-lec.com	MADE IN THE USA
	DESCRIPTION: OVER CENTER DOOR OPERATOR	
Copyright © Air-Lec Industries, LLC	FORM 1101A-1-5/17-5B-1	